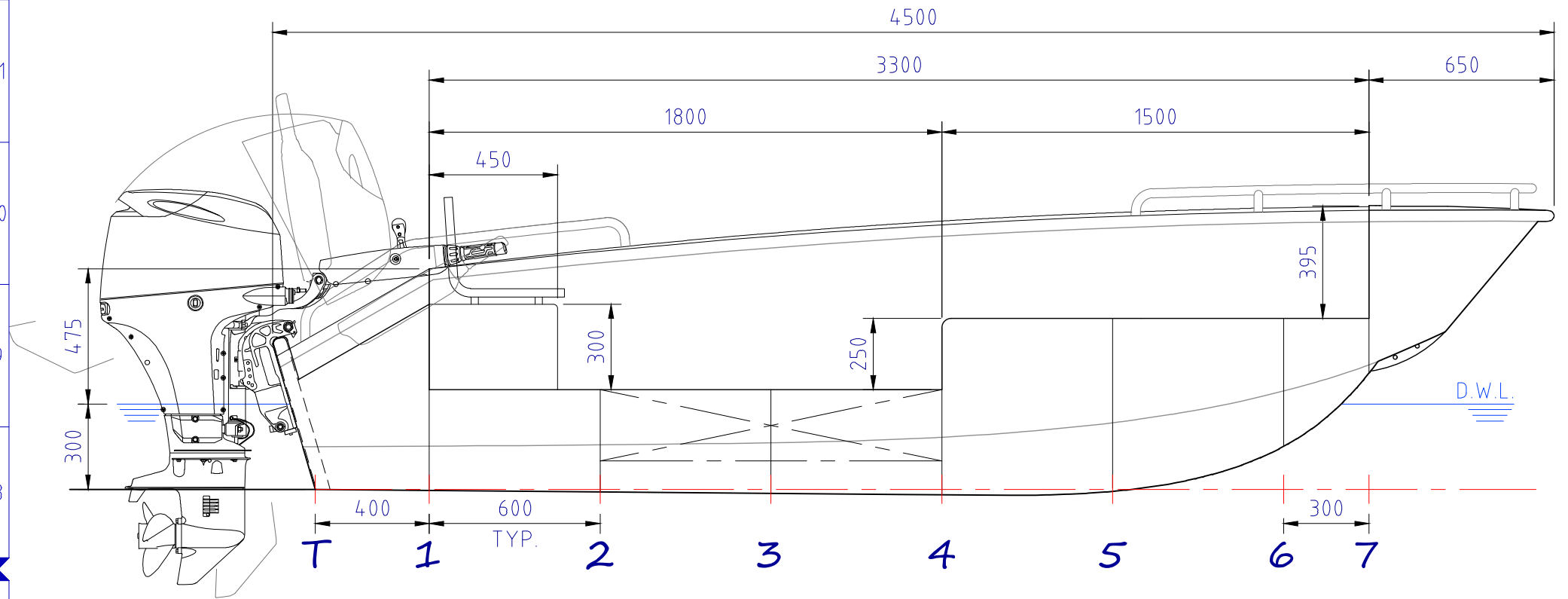
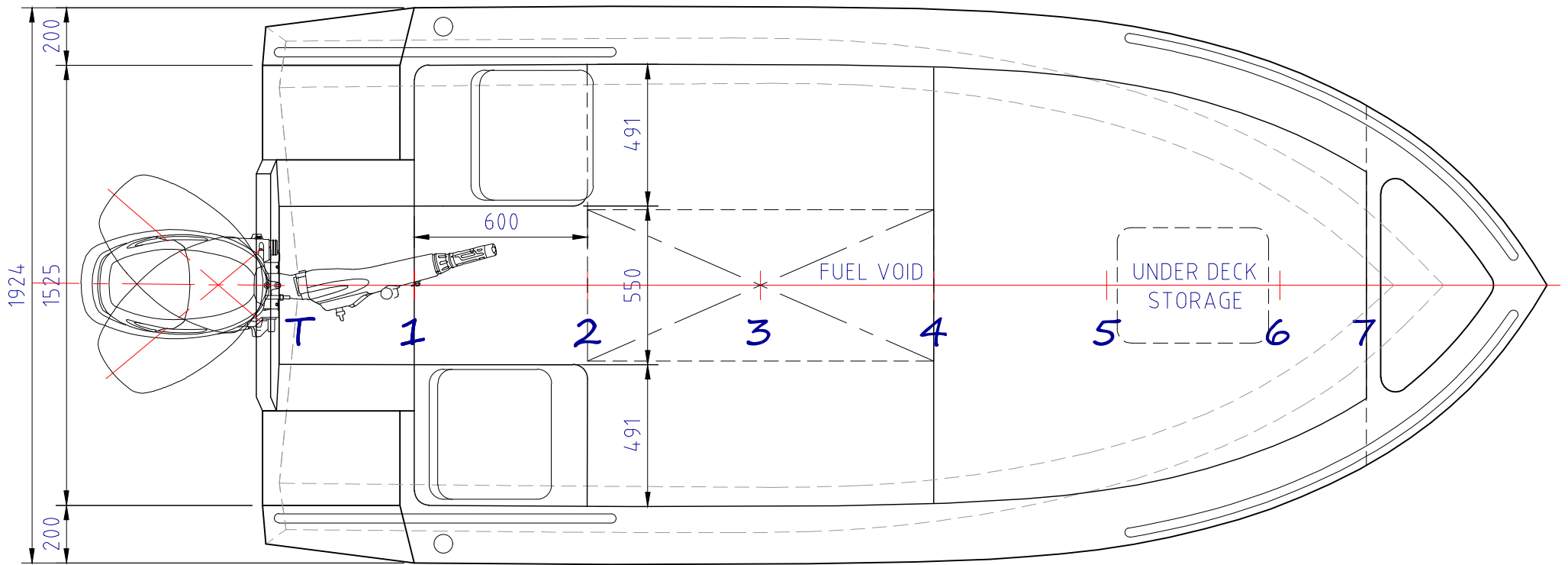


OUTBOARD PROFILE



INBOARD PROFILE



PLAN VIEW

# WAVERIDER 450

TILLER STEER



All Dimensions are in millimetres unless noted otherwise. All tolerances are to standard engineering practice. Measurements must not be obtained by scaling off the drawing. If in doubt - ask. This drawing and the information contained herein remains the sole copyright property of Aus Yachts Pty Ltd and is not to be reproduced, copied or modified without express written permission.

PROJECT TITLE: WAVERIDER SERIES	DRAWN BY: PJH	DATE: MAR '17
DRAWING TITLE: WR450TR GENERAL ARRANGEMENT	CHECKED BY: DM	DATE: MAR '17
PAPER SIZE: A3	SCALE: NTS	DRAWING NO: 16-034-450-1000
		REVISION: B